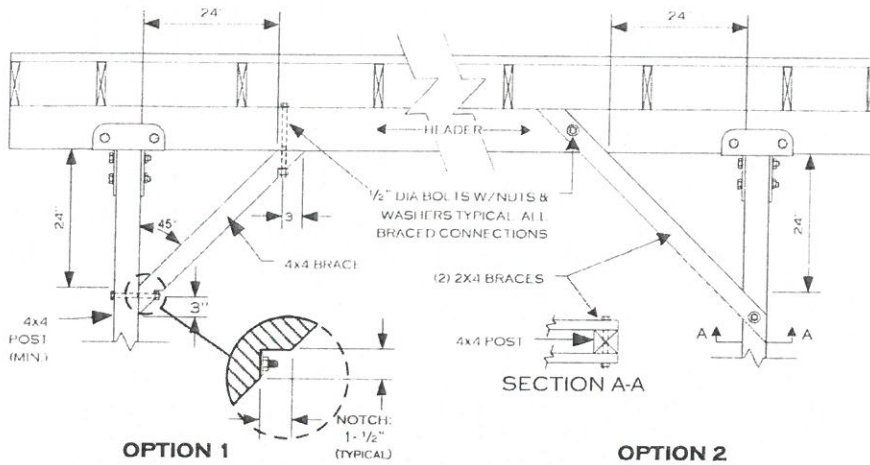
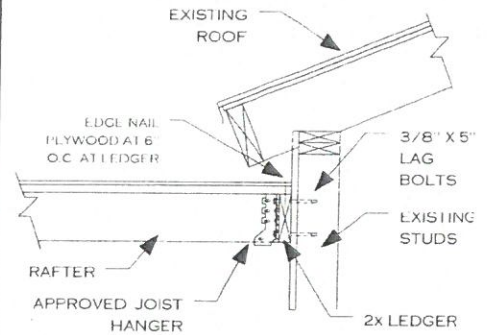


### KNEE BRACE DETAIL AT END POSTS

(REQUIRED WHEN RAFTER SPAN EXCEEDS 12 FT.)



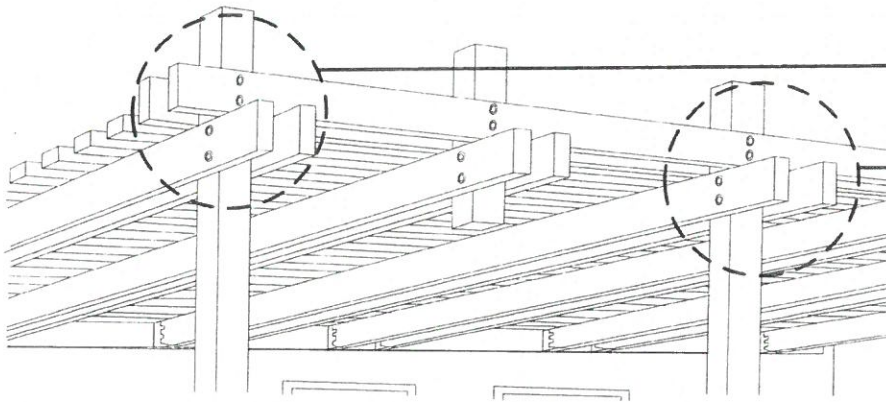
### LEDGER ATTACHMENT DETAIL



**NOTES:**

1. USE A CONTINUOUS 2X LEDGER – SAME DEPTH AS RAFTER OR LARGER
2. SEE TABLE "D" FOR BOLTING REQUIREMENTS

### INVERTED HEADER DESIGN OPTION (LATTICE ONLY)



TWO 1/2" DIA. THRU-BOLTS (W/ WASHERS). PER CONNECTION AS SHOWN

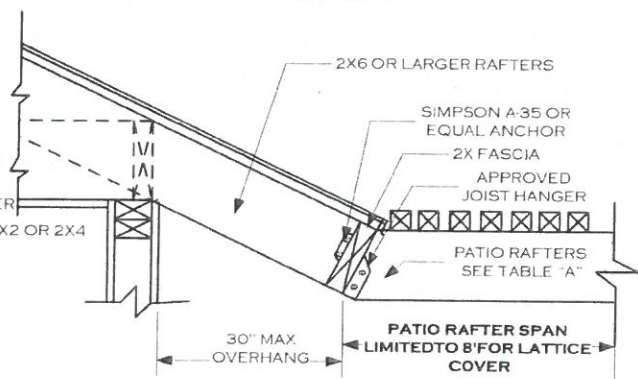
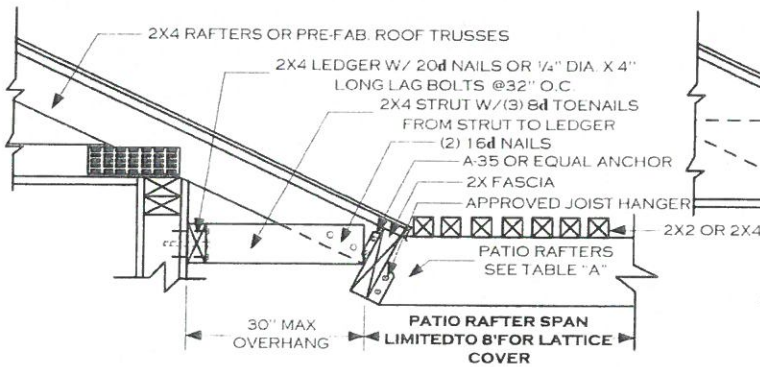
FOR HEADERS OR RAFTERS- TWO 2X MEMBERS MAY BE SUBSTITUTED FOR ONE 4X MEMBER. SEE TABLES "A" & "B" FOR SPAN LIMITS

NOTE: KNEE BRACING REQUIRED WHEN RAFTER SPAN EXCEEDS 12 FEET

### 2X FASCIA (OVERHANG) ATTACHMENT – LATTICE ONLY

**OPTION 1**

**OPTION 2**



NOTE: VERIFY STRUCTURAL SOUNDNESS OF ROOF RAFTERS FOR DECAY OR TERMITE DAMAGE, AND REPLACE WITH LIKE MATERIALS AS NEEDED, AFTER CONSULTATION WITH THE BUILDING DEPARTMENT.



## City of Arcadia

Building Services Division  
 240 W. Huntington Drive  
 Arcadia, CA 91007  
 (626) 574-5416  
[www.ArcadiaCA.gov](http://www.ArcadiaCA.gov)

## PATIO STANDARD

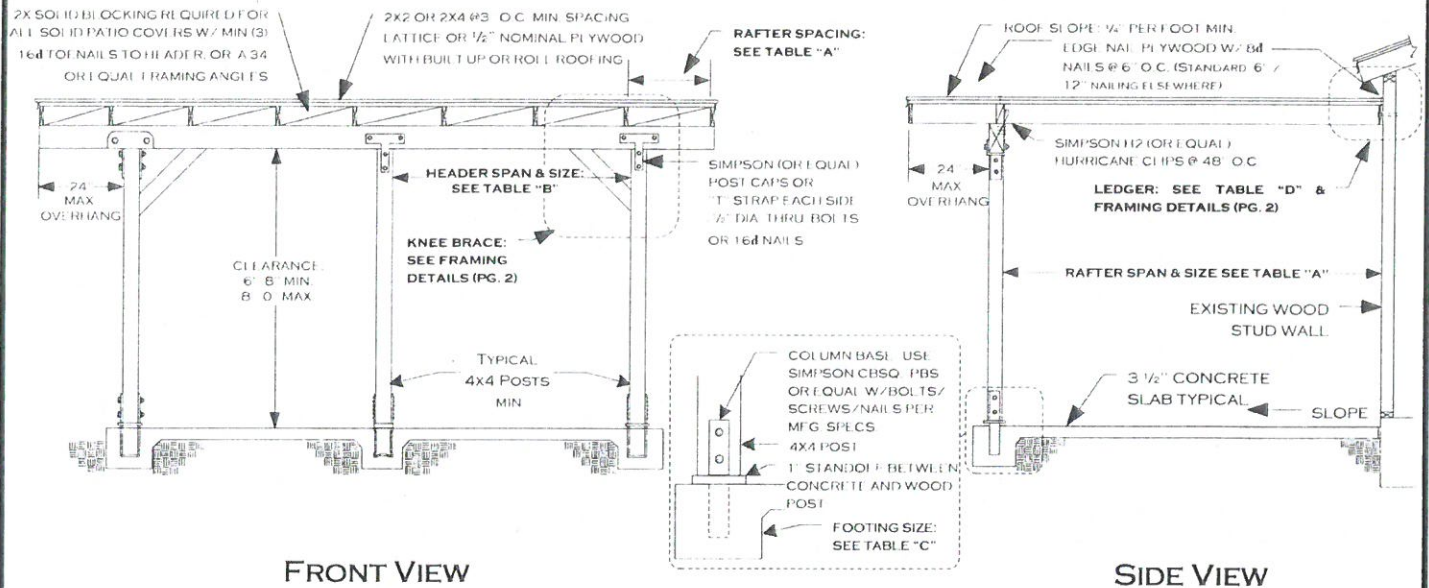


TABLE "A" RAFTER SPANS (DOUGLAS FIR #2 OR BETTER)		
SIZE	SPACING	SPAN
2 x 4	12" O.C.	9' - 10"
	16" O.C.	8' - 11"
	24" O.C.	7' - 8"
	32" O.C.	*6' - 3"
2 x 6	12" O.C.	15' - 4"
	16" O.C.	13' - 9"
	24" O.C.	11' - 3"
	32" O.C.	*9' - 7"
2 x 8	12" O.C.	20' - 0"
	16" O.C.	18' - 2"
	24" O.C.	14' - 10"
	32" O.C.	*12' - 8"
2 x 10	12" O.C.	20' - 0"
	16" O.C.	20' - 0"
	24" O.C.	18' - 11"
	32" O.C.	*16' - 2"
4 x 4	24" O.C.	10' - 0"
	32" O.C.	*9' - 3"
	48" O.C.	*7' - 8"
4 x 6	24" O.C.	15' - 11"
	32" O.C.	*13' - 9"
	48" O.C.	*11' - 3"
4 x 8	24" O.C.	20' - 0"
	32" O.C.	*18' - 2"
	48" O.C.	*14' - 10"

\* THIS SPACING AND SPAN IS FOR LATTICE PATIO COVERINGS ONLY.

TABLE "B" HEADER SIZE & SPANS (DOUGLAS FIR #2 OR BETTER)		
RAFTER SPAN	HEADER	
	SPAN	SIZE
UP TO 12'-0"	8'-0" MAX	4 x 6
	10'-0" MAX	4 x 8
	12'-0" MAX	4 x 10
	14'-0" MAX	4 x 12
12'-1" TO 20'-0"	8'-0" MAX	4 x 8
	10'-0" MAX	4 x 10
	12'-0" MAX	4 x 12
	14'-0" MAX	4 x 14

TABLE "C" FOOTING SIZE
BASED ON 1000 P.S.F. SOIL BEARING PRESSURE.
18" SQ. X 12" DEEP
18" SQ. X 12" DEEP
18" SQ. X 12" DEEP
18" SQ. X 12" DEEP
24" SQ. X 12" DEEP
24" SQ. X 12" DEEP
24" SQ. X 12" DEEP
24" SQ. X 12" DEEP

TABLE "D" LEDGER BOLTING
ALL LAG BOLTS SHALL HAVE 1/4" PRE-DRILLED HOLES - (SEE NOTE 2)
3/8" DIA. X 5" LONG AT 16" O.C. STAGGERED
(2) 3/8" DIA X 5" LONG AT 16" O.C.

**NOTES:**

- TWO 2X MEMBERS MAY BE SUBSTITUTED FOR ONE 4X HORIZONTAL FRAMING MEMBER.
- LAG BOLTS MUST FULLY ENGAGE A WOOD STUD OR RIM JOIST AND BE PROVIDED WITH APPROPRIATE WASHERS. LAG BOLTS SHALL BE LOCATED A MINIMUM OF 1-1/2" FROM THE TOP OR BOTTOM OF THE LEDGER.
- NOT DESIGNED TO BE ENCLOSED - ADDITIONAL ENGINEERING ANALYSIS WILL BE REQUIRED IF ENCLOSED.
- SEE PAGE 2 OF 2 FOR CONSTRUCTION DETAILS.

**DISCLAIMER:**

ALTERNATE PATIO DESIGNS MAY BE POSSIBLE WHEN PROVIDED WITH AN ENGINEERED ANALYSIS. USE OF THIS CONVENTIONAL STANDARD DESIGN IS AT THE USER'S RISK AND CARRIES NO IMPLIED OR INFERRED GUARANTEE AGAINST FAILURE OR DEFECTS.



**City of Arcadia**  
 Building Services Division  
 240 W. Huntington Drive  
 Arcadia, CA 91007  
 (626) 574-5416  
 www.ArcadiaCA.gov

**PATIO STANDARD**